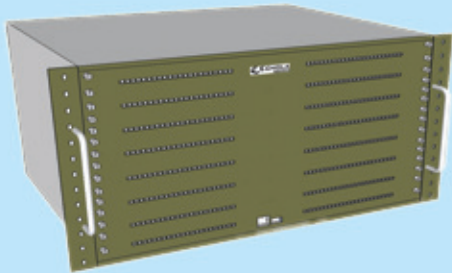
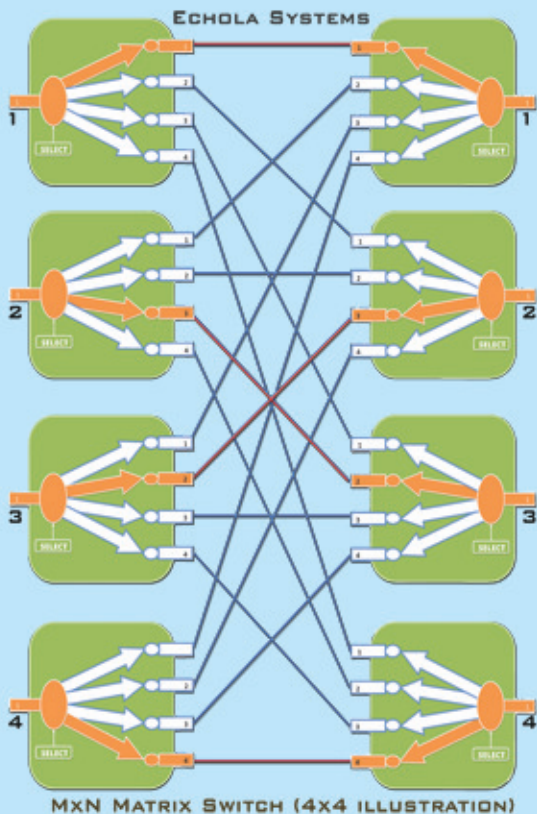


OMS Series MxN Matrix Switch



Echola Systems OMS series optical switch is a low cost and high reliability Layer1 MxN non blocking matrix (OXC) switch. Light can be switched from any input port to any output port. Typical applications include optical patch panel/test lab automation, optical device sharing and optical signal routing. OSM series matrix switches can save you thousands of dollars in operating as well as capital cost. It offers advantages of very low insertion loss (about 1dB for any configuration), low power consumption (just about 7 Watts for any model) and broad wavelength (350nm to 1800nm) operation. It is available in 6 different models.

Model	Ports	Ports in Tx/Rx pairs	Size
OMS64	32 x 32 = 64	16 x 16 = 32	2RU
OMS128	64 x 64 = 128	32 x 32 = 64	3RU
OMS192	96 x 96 = 192	48 x 48 = 96	4RU
OMS256	128 x 128 = 256	64 x 64 = 128	6RU
OMS384	192 x 192 = 384	96 x 96 = 192	8RU
OMS500	250 x 250 = 500	125 x 125 = 250	10RU



OMS Specifications	Min.	Typical	Max.
Operation Wavelength (nm)	350	1260~1650	1800
Optical Interface	LC Connectors		
Insertion Loss (dB) (excluding connectors)	0.7	1	2
Cross Talk (dB)	70		
Switching Speed (sec)			1
Durability (cycles)	10000000		
Polarization Dependent Loss (dB)		0.04	0.2
Wavelength Dependence Loss (dB)		0.1	0.3
Return Loss (dB)	45		
Repeatability (dB)		0.1	0.3
Power Consumption (Watts)	3.5	7	10
Power Supply (V)	100		240
Storage Temperature (°C)	-40		85
Switch Type	Latching		
Electrical Interface	RS232/USB/Ethernet		
Software	Web Interface/Telnet/SSH/Syslog		

Contact sales@echola.com for more information.